

# Infinity 8 Conventional Fire Alarm Panel

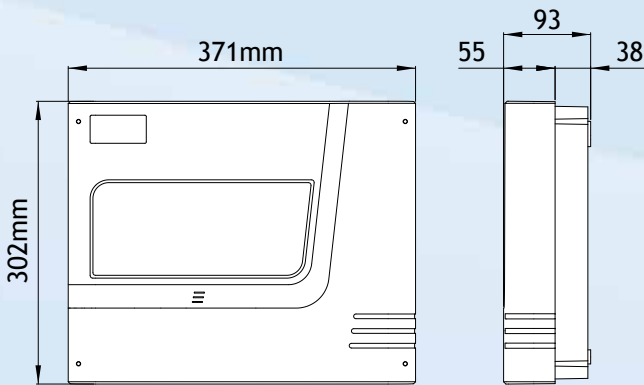
(IN1, IN2, IN4, IN6, IN8)



The Infinity 8 control panel is housed in the most attractive, modern designed, flame retardant ABS enclosure, utilising a switch mode power supply. It has a fully removable front cover which improves ease of access for cable installations.

## Features

- ✓ Access via password - removes problem of lost keys
- ✓ One man test facility
- ✓ Disablement facility for zones & sounders
- ✓ Space for up to 3Ah batteries
- ✓ Sounder delay option
- ✓ 4 sounder circuits on ZT-IN4,6 & 8
- ✓ Sounder circuits 3 and/or 4 can be configured as Aux 24V supplies
- ✓ Meets all requirements of latest EN54 part 2 and part4



| MODEL                             | ZT-IN1                                    | ZT-IN2 | ZT-IN4             | ZT-IN6 | ZT-IN8 |
|-----------------------------------|-------------------------------------------|--------|--------------------|--------|--------|
| Part No                           | 37-650                                    | 37-651 | 37-652             | 37-653 | 37-654 |
| Mains Voltage                     | 230V AC +10% / -15% @ 50/60 Hz            |        |                    |        |        |
| System Voltage                    | 24V DC (Nominal)                          |        |                    |        |        |
| Zone Voltage                      | 21V DC (Nominal)                          |        |                    |        |        |
| Sounder Alarm Output              | 2 x 150mA @ 24V DC                        |        | 4 x 150mA @ 24V DC |        |        |
| Fault Relay                       | 1 x Volt Free Relay, SELV @ 1A Max        |        |                    |        |        |
| Fault Relay                       | 1 x Volt Free Relay, SELV @ 1A Max        |        |                    |        |        |
| Zone Capacity                     | 32 devices per zone                       |        |                    |        |        |
| Sounder Activation Delay          | 0 to 9 minutes in 1 minute increments     |        |                    |        |        |
| Zone End of line                  | 1N4002 Diode (Cathode Stripe to Zone +ve) |        |                    |        |        |
| Sounder End of Line               | 10K resistor                              |        |                    |        |        |
| Charger Voltage                   | 27.6V                                     |        |                    |        |        |
| Battery cut off                   | Battery voltage less than 20V             |        |                    |        |        |
| Battery Internal Resistance limit | 0.9 ohm                                   |        |                    |        |        |
| Enclosure size                    | 375 x 316 x 90 (mm)                       |        |                    |        |        |
| Weight                            | 3 kg (Excluding Batteries)                |        |                    |        |        |
| Maximum battery space             | 2 x 3.0 AH, 12 Vdc sealed lead acid       |        |                    |        |        |